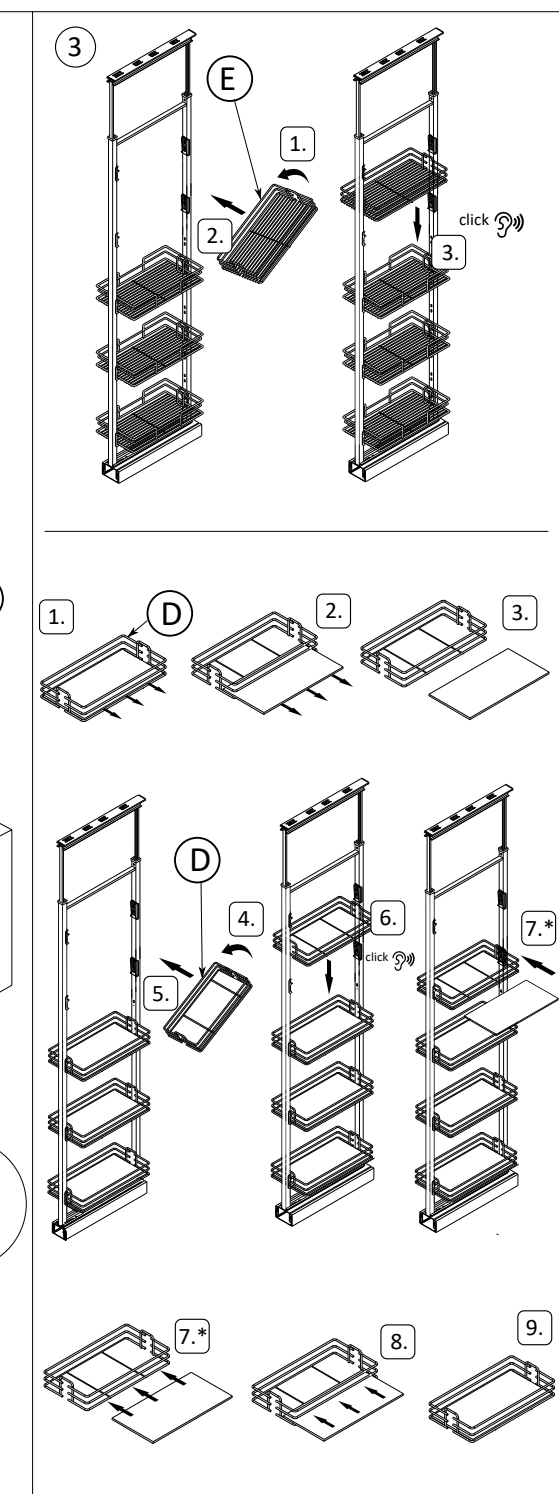
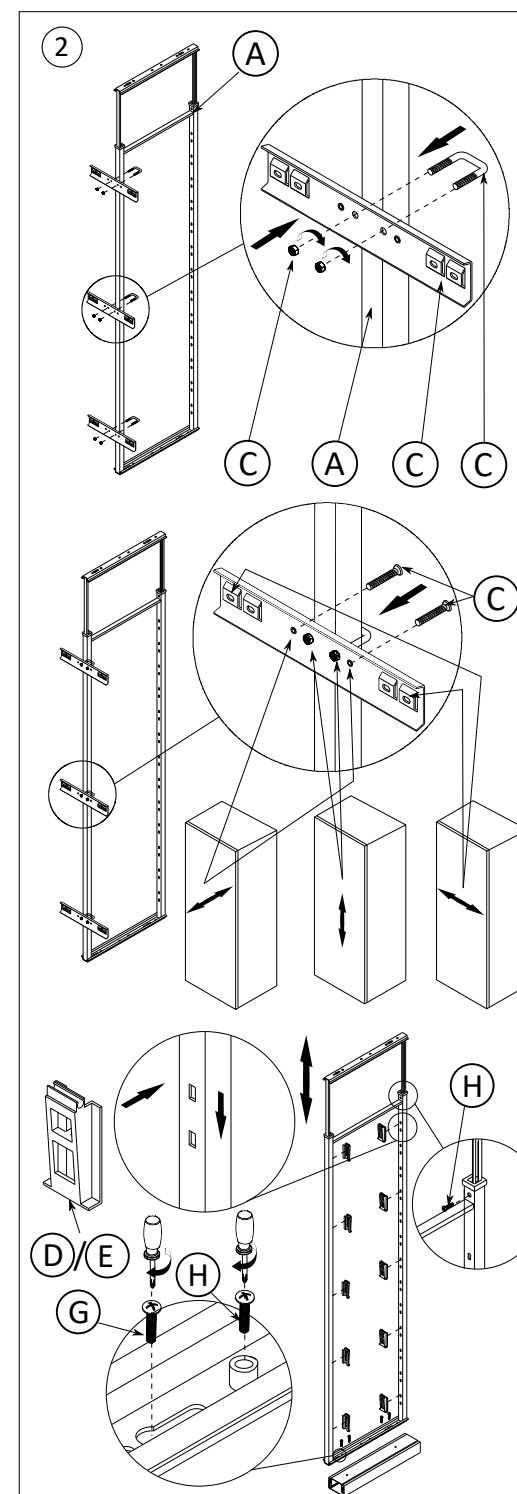
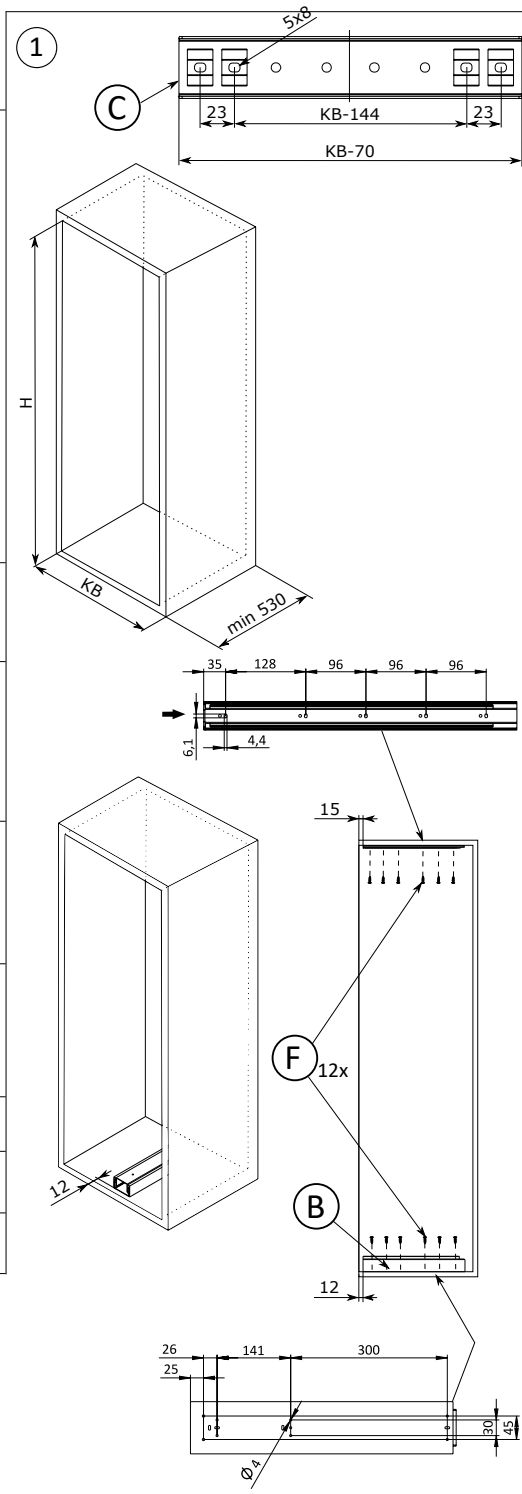


RiEx

	A	1x												
	B	1x												
<p>M6</p> <p>M4x25</p> <table border="1"> <tr> <td>KB</td> <td>300</td> <td>400</td> <td>450</td> </tr> <tr> <td>White</td> <td>F004875</td> <td>F004877</td> <td>F004879</td> </tr> <tr> <td>Grey</td> <td>F004874</td> <td>F004876</td> <td>F004878</td> </tr> </table>	KB	300	400	450	White	F004875	F004877	F004879	Grey	F004874	F004876	F004878	C	2-3x*
KB	300	400	450											
White	F004875	F004877	F004879											
Grey	F004874	F004876	F004878											
<table border="1"> <tr> <td>KB</td> <td>300</td> <td>400</td> <td>450</td> </tr> <tr> <td>Chrome</td> <td>F001864</td> <td>F001865</td> <td>F001866</td> </tr> </table>	KB	300	400	450	Chrome	F001864	F001865	F001866	D	4-7x*				
KB	300	400	450											
Chrome	F001864	F001865	F001866											
<table border="1"> <tr> <td>KB</td> <td>300</td> <td>400</td> <td>450</td> </tr> <tr> <td>White</td> <td>F001870</td> <td>F001871</td> <td>F001872</td> </tr> <tr> <td>Grey</td> <td>F001867</td> <td>F001868</td> <td>F001869</td> </tr> </table>	KB	300	400	450	White	F001870	F001871	F001872	Grey	F001867	F001868	F001869	E	4-7x*
KB	300	400	450											
White	F001870	F001871	F001872											
Grey	F001867	F001868	F001869											
	F	12x												
	G	2x												
	H	4x												



H	*C	*D	*E
1250 - 1400	2	4	4
1400 - 1550	3	5	5
1550 - 1700	3	5	5
1700 - 1850	3	6	6
1850 - 2000	3	6	6
2000 - 2150	3	7	7